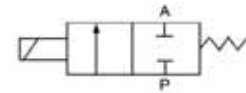


UW Series Solenoid Valve (Large Aperture) Brass Body, Two Way Normally Closed

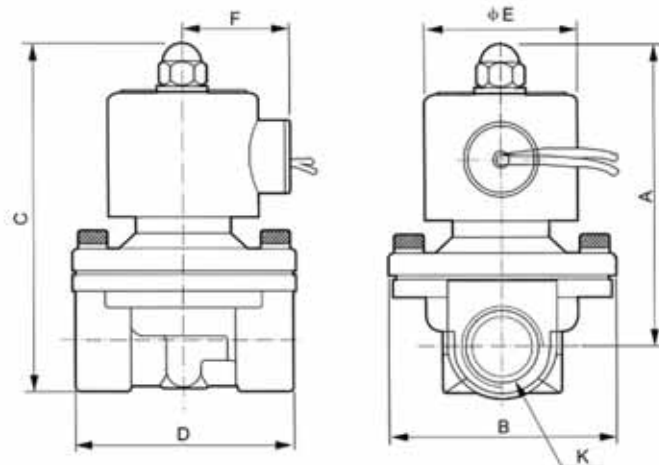


	UW - 15	F	AC220V	D
Specification Code				
UW : Two position two way solenoid valve (direct drive type)				
Joint Pipe Bore				
10	: 3/8"	35	: 1 1/4"	
15	: 1/2"	40	: 1 1/2"	
20	: 3/4"	50	: 2"	
25	: 1"			
Initial Estate				
Blank : Pipe joint type				
F : Flange type				
Standard Voltage				
DC12V				
DC24V				
AC24V 50/60Hz				
AC110V 50/60Hz				
AC220V 50/60Hz				
Wiring Form				
Blank : Lead wire type				
D : Join connector				
E : Blast-proof coil				
G : Water-proof coil				

UW Series Solenoid Valve (Large Aperture) Brass Body, Two Way Normally Closed

Specification							
Model	UW-10	UW-15	UW-20	UW-25	UW-35	UW-40	UW-50
Working Medium	Air, Water, Oil, Gas						
Motion Pattern	Direct Drive Type						
Type	Normal Close Type						
Aperture of Flow Rate (mm)	16	16	20	25	35	40	50
CV Value	4.8	4.8	7.6	12	24	29	48
Joint Pipe Bore	3/8"	1/2"	3/4"	1"	1 1/4"	1 1/2"	2"
Operation Fluid Viscosity	20 CST (below)						
Working Pressure (kgf/cm ²)	Water: 0 ~ 5, Air : 0 ~ 7, Oil : 0 ~ 5, Gas : 0 ~ 7						
Max. Pressure Resistance (kgf/cm ²)	10						
Operating Temperature Range (°C)	-50 ~ 80						
Voltage Range	± 10%						
Material of Body	Brass						
Material of Oil Seal	NBR, EPDM VITON						

Overall Dimension



Model	A	B	C	D	K(PT)
UW-10	101.5	57	117	67	3/8"
UW-15	101.5	57	117	67	1/2"
UW-20	107	57	123.5	72	3/4"
UW-25	111.5	77	134.5	92	1"
UW-35	142	95	172	125	1 1/4"
UW-40	142	95	172	125	1 1/2"
UW-50	172	123	209	168	2"